

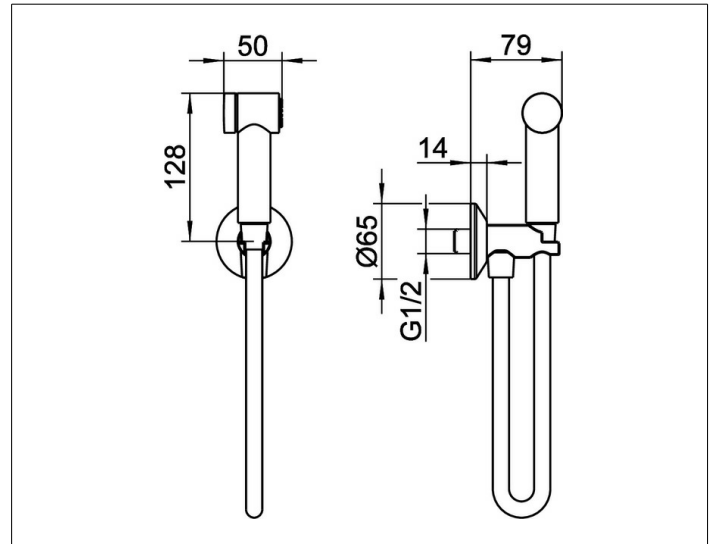
Generic fittings

59983010000 Hygienic shower DN 15

PRODUCT



DRAWING



PRODUCT ATTRIBUTES

with hose connection DN15,
shower hose 1250 mm and hand shower,
automatic shut- off on the tap and
additional shut-off on the hand shower

SURFACE

chrome-plated