

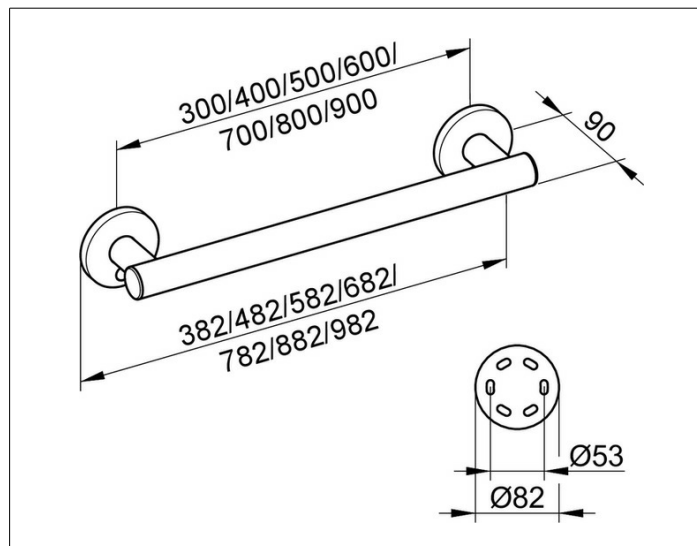
**Plan Care**

**34901170900 Grab bar**

**PRODUCT**



**DRAWING**



**PRODUCT ATTRIBUTES**

for horizontal or vertical installation

**SURFACE**

aluminium silver anodized (E6 EV1)/chrom

**DIMENSION**

982 mm

**SPECIFICATIONS**

KEUCO PLAN CARE grab rail  
34901170900

Grab rail in aluminium silver anodized  
in esthetic, practical and ergonomic Design  
For horizontal or vertical Fitting up to 115 kg load capacity,  
anti-static,  
easy to clean

Pipe diameter 33 mm,  
Rosette Diameter 82 mm  
Base measurement 900 mm,  
with a Total Width of 982 mm

Projection 90 mm,  
Wall distance 57 mm

The Support handle will be at 6 places discretely mounted,  
The Handle is TUEV-GS tested

Included in delivery:  
mounting set 1 /Art. no. 34990 000100)  
each 1 x per wall mounting set

Further mounting sets (depending on type of wall)  
mounting set 4 (Art. no. 34990 000200), or  
mounting set 7 (Art. no. 34993 000200)  
Please order additionally  
(each 1 x per wall mounting set)