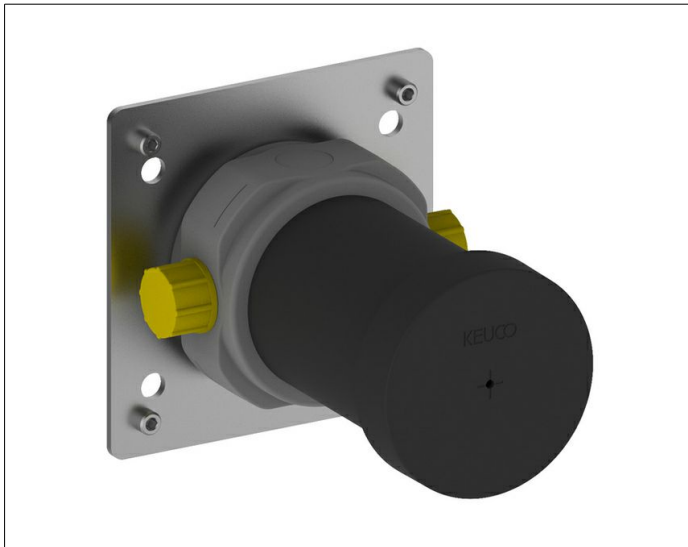


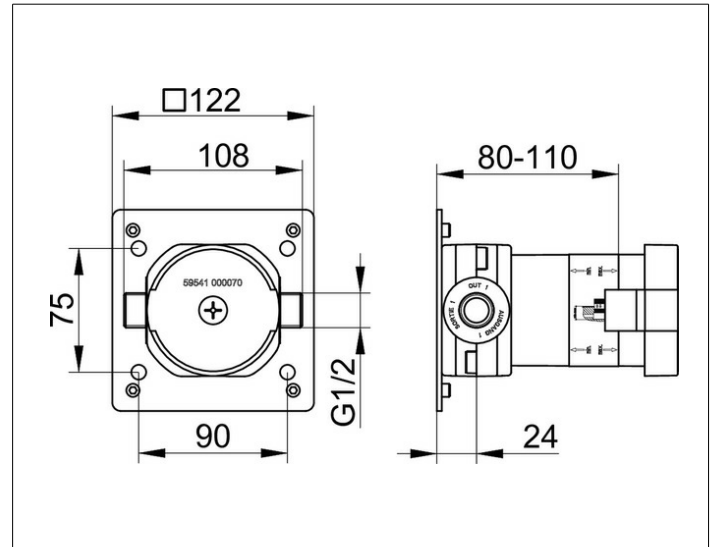
IXMO

59541000070 Installation unit for stop valve DN 15

PRODUCT



DRAWING



PRODUCT ATTRIBUTES

Rough part for recessed installation
installation depth 80 - 110 mm

SPECIFICATIONS

KEUCO IXMO installation unit for stop valve, for recessed installation DN15, 59541000070 sound-insulated rough part made of low-dezincifying brass for recessed installation, freely positionable, installation depth 80 mm – 110 mm, base plate with adjusting screws for optimal positioning, Connection G 1/2 inch with colour marking,
Note: Suitable for article no:
59541010001
59541010002