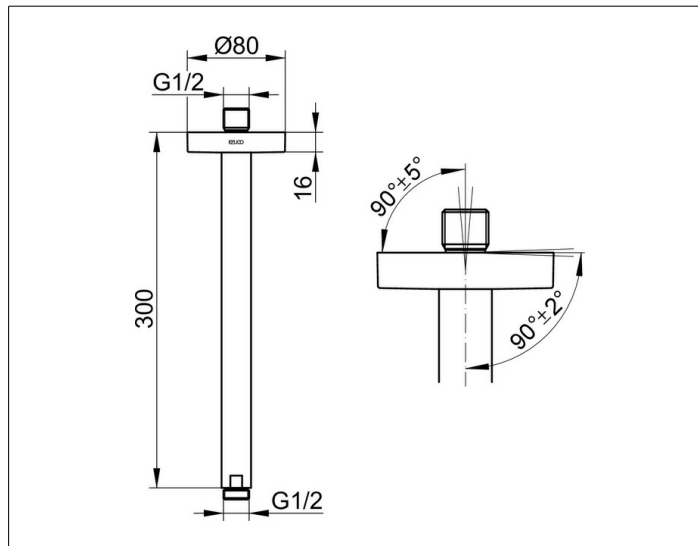


Shower and shower accessories
51689010300 Arm for head shower DN 15

PRODUCT



DRAWING



PRODUCT ATTRIBUTES

ceiling mounted G 1/2, with round decorative disc
 Opportunity of alignment to the ceiling ($90^\circ \pm 2^\circ$) and
 ceiling connection ($90^\circ \pm 5^\circ$)

SURFACE

chrome-plated

DIMENSION

300 mm

SPECIFICATIONS

KEUCO ELEGANCE Shower holder for ceiling 51689010300
 chrome plated shower holder for ceiling,
 G 1/2 inch, with round wall element, diameter 60 mm,
 Projection: 300 mm