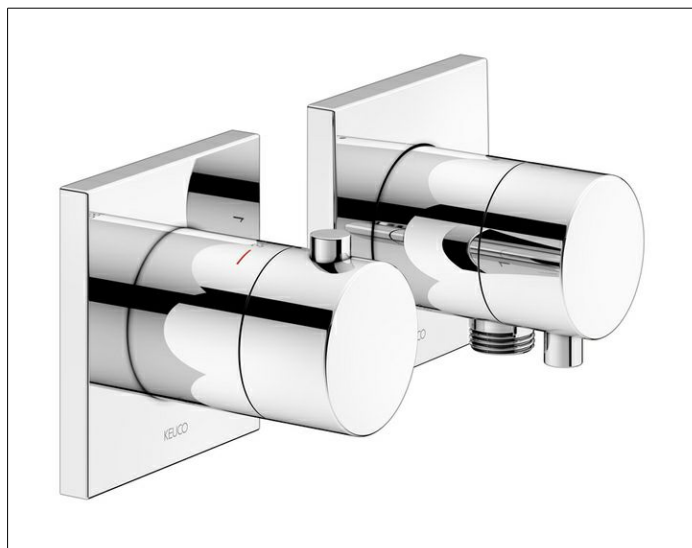


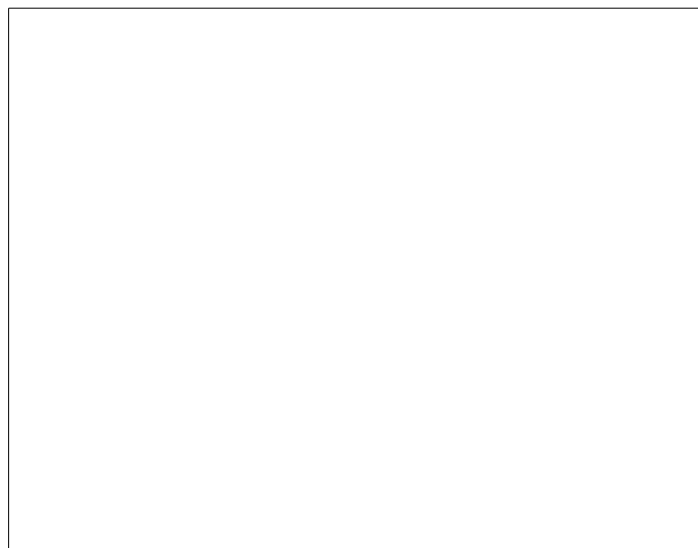
Edition 11

51153011122 2-way thermostatic mixer with wall outlet for shower hose

PRODUCT



DRAWING



PRODUCT ATTRIBUTES

Consisting of:

- Thermostatic mixer handle, sleeve, rosette (square)
- Stop and diverter valve handle, sleeve rosette (square) stop and diverter valve, with backflow preventer

SURFACE

chrome-plated

SPECIFICATIONS

KEUCO EDITION 11 Thermostatic set 51153 011122, consisting of:

KEUCO IXMO Thermostatic mixer UP DN15, 59553010002 high-gloss chrome-plated thermostatic mixer for shower and bath made of low-dezincification brass , with square rosette, freely positionable, with built-in device for reversed waterways, installation depth 80 - 110 mm, high quality temperature control unit, safety cut-off at 38°, Set consisting of:
 handle, sleeve, rosette (square),
 rosette 90 x 90 mm, thickness 10mm,
 total projection 80 mm,
 suitable for concealed installation unit article no.59553000070

KEUCO IXMO2 ways stop and diverter valves with wall outlet for shower hose UP DN15, 59557011102 2 ways stop and diverter valve made of high-gloss chrome-plated brass with IXMO handle Comfort and with wall outlet for shower hose, freely positionable, installation depth 80-110 mm, with adjustment option for fine assembly for handle and rosette, with square rosette, with wall outlet for shower hose G 1/2 inch, rosette 90 x 90mm, thickness 10 mm, total projection 80 mm, The wall outlet for shower hose is intrinsically safe against backflow according to DIN EN 1717. All inlets planned below the water inlet line are to be checked and, if necessary, according to DIN 1988 secure against backflow. Set consisting of:
 handle, casing, rosette (square) and stop and diverter valve, suitable for concealed installation unit article no. 59556000170

Essential for installation: Rough part set 59953 002170
 Please order separately!