

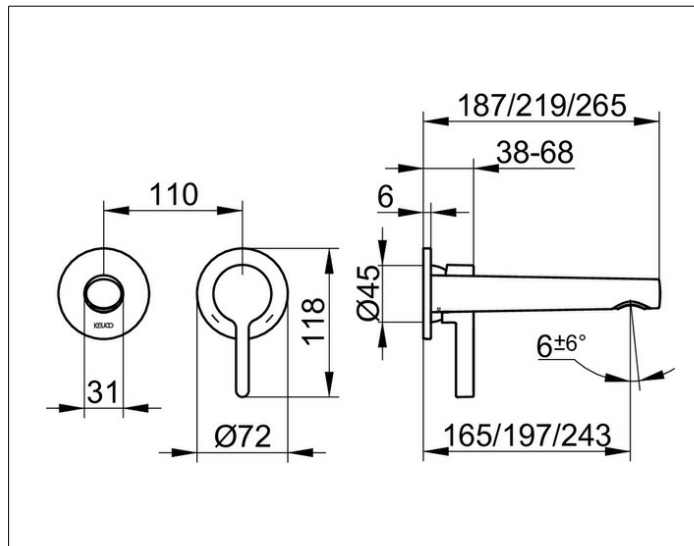
Edition 400

51516050200 Single lever basin mixer

**PRODUCT**



**DRAWING**



**PRODUCT ATTRIBUTES**

concealed, DN 15,  
 mixing cartridge with ceramic sealing gaskets  
 temperature controlled  
 aerator SLIM SSR M 24x1, adjustable,  
 flow rate limited to 7,6 l/min.  
 in combination with rough part 59916 000070

**SURFACE**

brushed nickel

**DIMENSION**

Ausladung 197 mm