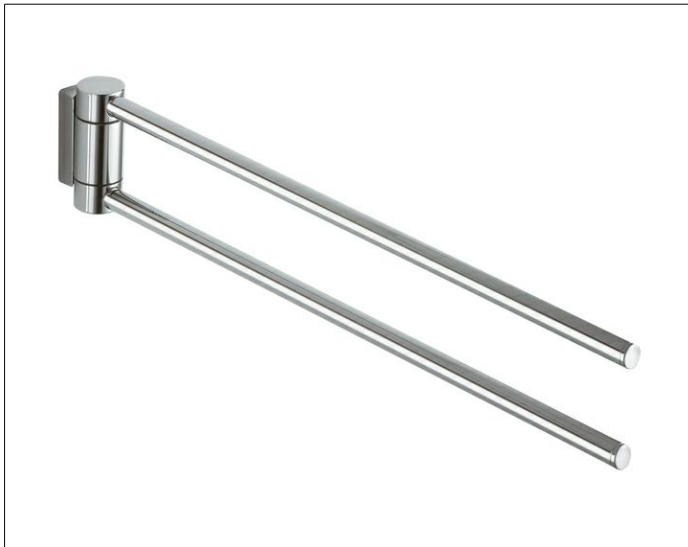
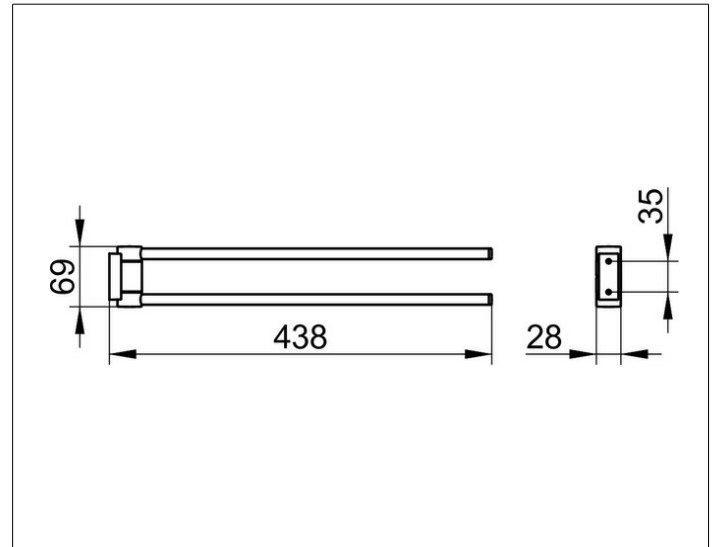


Plan
14918170000 Towel holder

PRODUCT



DRAWING



PRODUCT ATTRIBUTES

two arms, swiveling

SURFACE

aluminium silver anodized (E6 EV1)/chrom

DIMENSION

438 mm

SPECIFICATIONS

KEUCO PLAN towel holder 14918170000
 Aluminum silver anodized (E6 EV1)/chrome-plated towel holder in a stylish yet functional design
 Two stacked, independent laterally swiveling arms
 Anti static, easy to clean,
 Projection: 439 mm
 The towel holder is fitted with two hidden fixing points
 incl. corrosion-free mounting material