

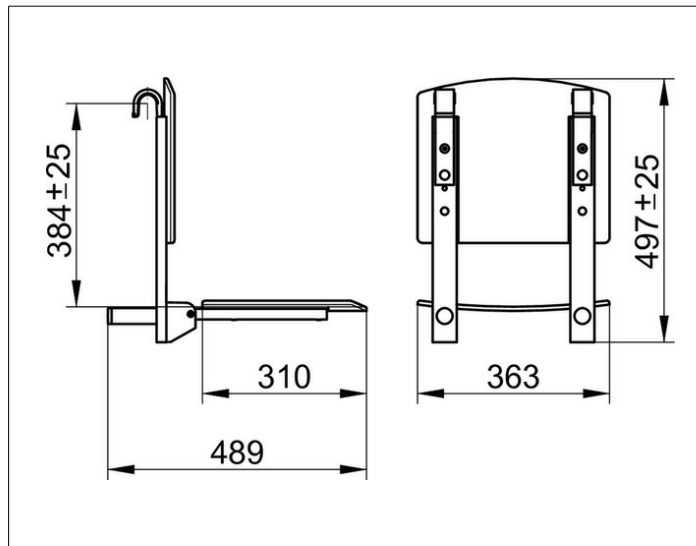
Plan Care

34981010038 Tip-up seat

PRODUCT



DRAWING



PRODUCT ATTRIBUTES

for hanging into rail system
or shower and bath rails
tip-up seat, removable back rest for cleaning

SURFACE

chrome-plated/light grey (RAL 7035)

SPECIFICATIONS

KEUCO PLAN CARE Tip-up seat 34981010038
tip-up seat in chrome-plated/light-grey (RAL 7035)
made from polypropylene
in esthetic, practical design, for rail system
safe seating arrangement in the shower
anti-static, easy to clean
plastic brackets for mounting onto support grip/ hand bar and plastic buffer
onto wall tiles
to tilt upwards, seat can carry weight up to 110 kg
width 362 mm, length of area 310mm

For completion necessary:
Articles from the Plan Care rail system
(Art. no. 34901 – 34915)