

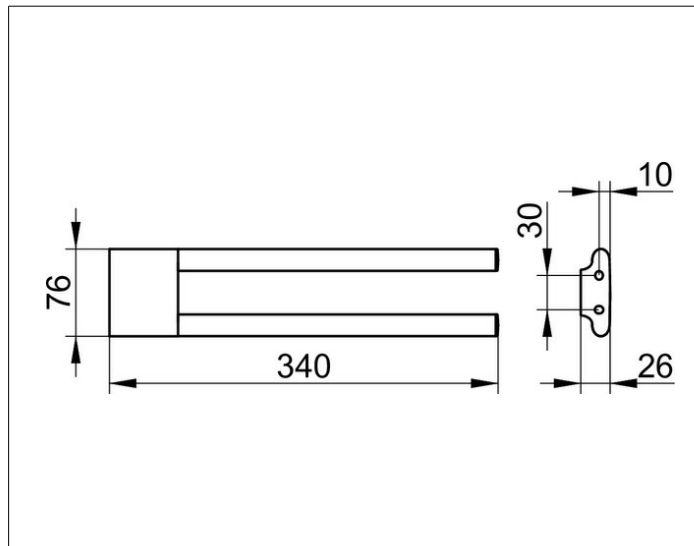
Edition 400

11519050000 Towel holder

PRODUCT



DRAWING



PRODUCT ATTRIBUTES

fixed

SURFACE

brushed nickel

DIMENSION

340 mm

SPECIFICATIONS

KEUCO Edition 400 towel holder, 11519050000
 brushed nickel towel holder, 2 pieces,
 sculptural design,
 with slightly rounded edges,
 two side by side,
 fixed arms, made of oval tubes,
 antistatic, easy to clean,
 depth 13-3/8", width 3", height 1",
 the towel holder is fitted concealed,
 delivery included anti-corrosion fixings