

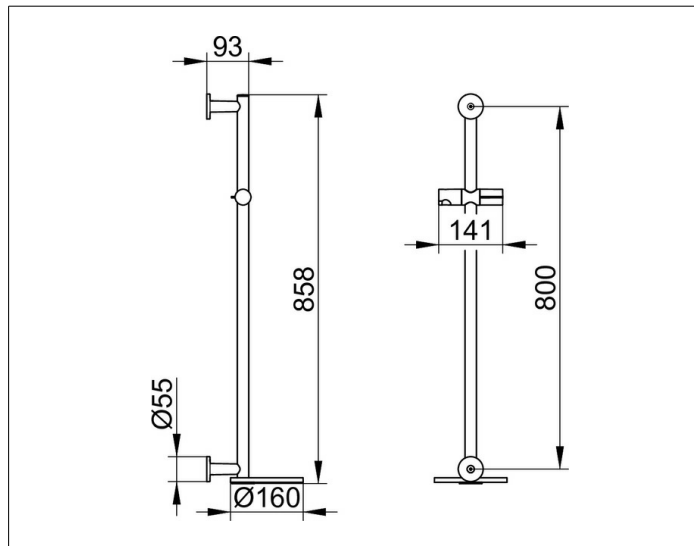
**IXMO**

**59585010911 Hand shower sliding rail**

**PRODUCT**



**DRAWING**



**PRODUCT ATTRIBUTES**

consisting of:

- rail 855 mm (rosettes (square) and hand-shower bracket, height adjustable with handle, adjustable tilt angle
- with swivelling shelf (ø 180 mm)
- spacer disc (5 mm)

**SURFACE**

chrome-plated/anthracite

**DIMENSION**

855 mm