

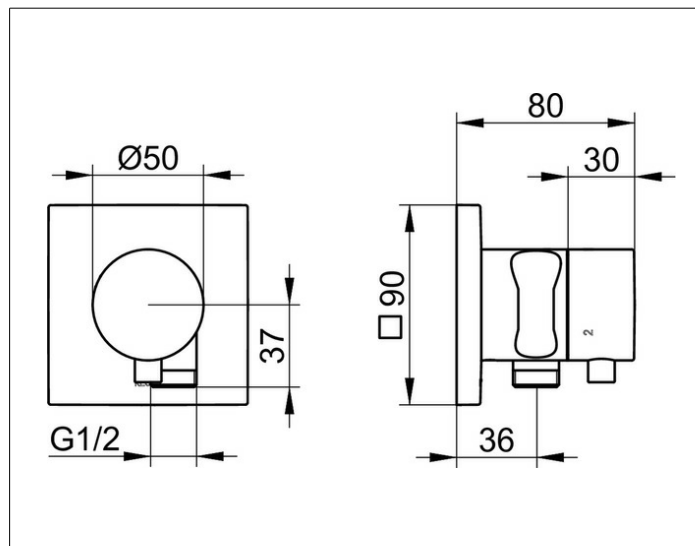
IXMO

59548011202 3-way diverter valve with wall outlet for shower hose and hand shower bracket DN 15

PRODUCT



DRAWING



PRODUCT ATTRIBUTES

for shower hoses with fitted conical end brackets,
Set complete with:
handle, casing, rosette (square) and diverter valve,
inherently safe against backflow,
suitable for rough part no. 59548 000170

SURFACE

chrome-plated

DIMENSION

IXMO Comfort, eckig

SPECIFICATIONS

KEUCO IXMO 3-way diverter valve
with wall outlet for shower hose
and hand shower bracket DN 15, 59548011202
chrome-plated 3-way diverter valve, IXMO Comfort lever
with square rosette,
freely positionable, with backflow preventer,
installation depth 80 - 110 mm,
with adjustment facilities whilst assembling,
for handle and rosette,
with hose connection G1/2 inch and
integrated hand shower bracket,
for shower hoses with fitted conical end brackets,
e.g KEUCO shower hose 54995...,
rosette 90 x 90 mm, 10 mm thick,
total depth 80 mm,
set complete with handle, sleeve, rosette (square)
and diverter valve,
suitable for rough part no. 59548000170