

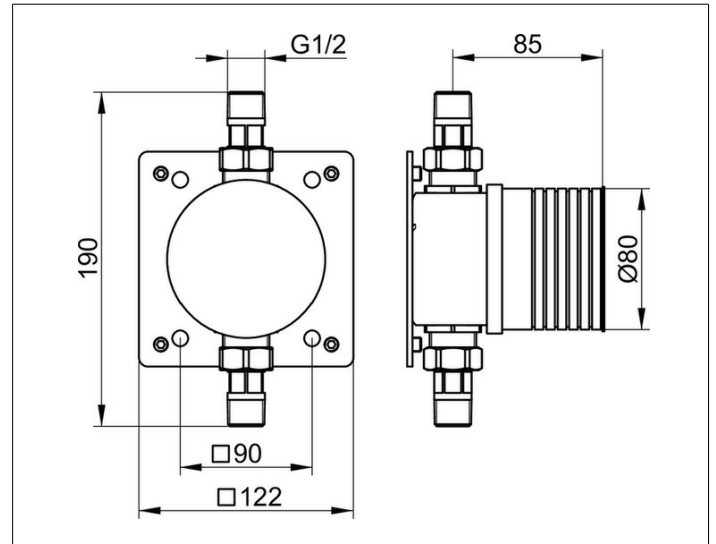
Generic fittings

59949000070 Tube interrupter

PRODUCT



DRAWING



PRODUCT ATTRIBUTES

in accordance with DIN EN 1717  
in a wall mounting box with chrome-plated cover  
(round and square)