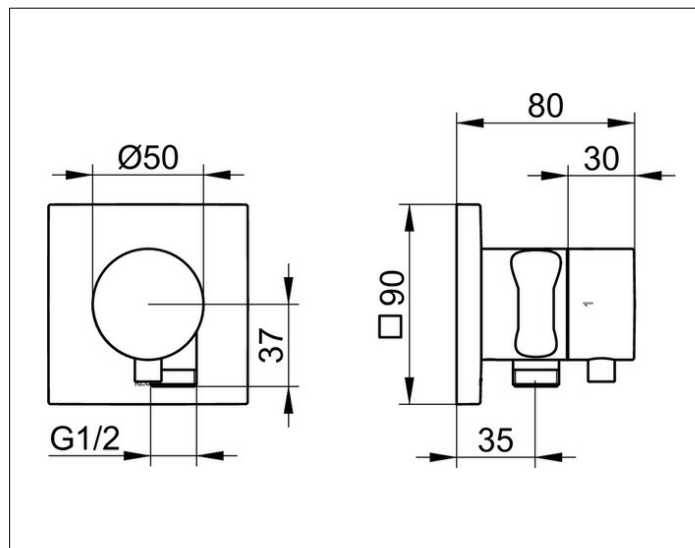


IXMO
59557011202 2-way stop and diverter valve with wall outlet for shower hose and hand shower bracket DN 15

PRODUCT



DRAWING



PRODUCT ATTRIBUTES

for shower hoses with fitted conical end brackets
 Set complete with:
 handle, casing, rosette (square) and stop and diverter valve
 intrinsically safe against backflow,
 suitable for rough part no. 59556 000170

SURFACE

chrome-plated

DIMENSION

IXMO Comfort, eckig

SPECIFICATIONS

KEUCO IXMO 2-way stop and diverter valve
 with wall outlet for shower hose
 and hand shower bracket DN 15, 59557011202
 chrome-plated 2-way stop and diverter valve
 with wall outlet for shower and hand shower bracket,
 IXMO Comfort lever with square rosette,
 freely positionable, with backflow preventer,
 installation depth 80 - 110 mm,
 with adjustment facilities whilst assembling
 for handle and rosette,
 with hose connection G1/2 inch
 and integrated hand shower bracket, fo
 r shower hoses with fitted conical end brackets,
 e.g KEUCO shower hose 54995...,
 rosette 90 x 90 mm, 10 mm thick,
 total depth 80 mm,
 set complete with:
 handle, sleeve, rosette (square) and stop/diverter valve,
 suitable for rough part no. 59556000170