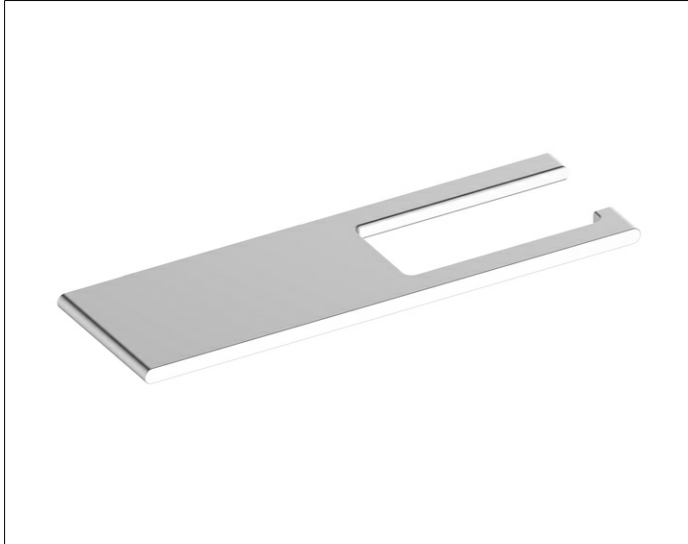


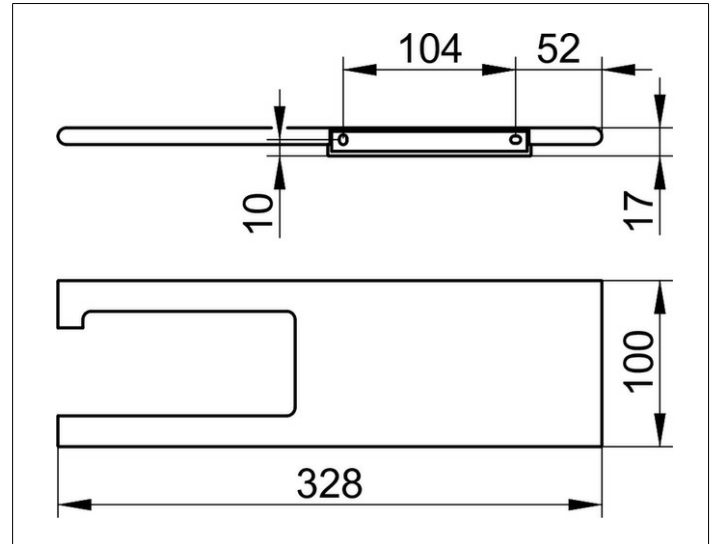
Edition 400

11573170000 Toilet paper holder

PRODUCT



DRAWING



PRODUCT ATTRIBUTES

with shelf, open form
for 100/120 mm wide paper rolls

SURFACE

aluminium silver anodized (E6 EV1)

NOTE

SPECIFICATIONS

KEUCO Edition 400 Toilet paper holder with shelf, 11573170000
Toilet paper holder made of solid aluminium, for 100/120 mm wide paper rolls
with storage space e.g. for mobiles and accessories,
silver anodized (E6 EV1), wall model, with slightly rounded edges,
width 328 mm, height 10 mm, depth 100 mm, shelf space 185 mm wide
the toilet paper holder with shelf is mounted concealed

Delivery incl. corrosion-free fastening material