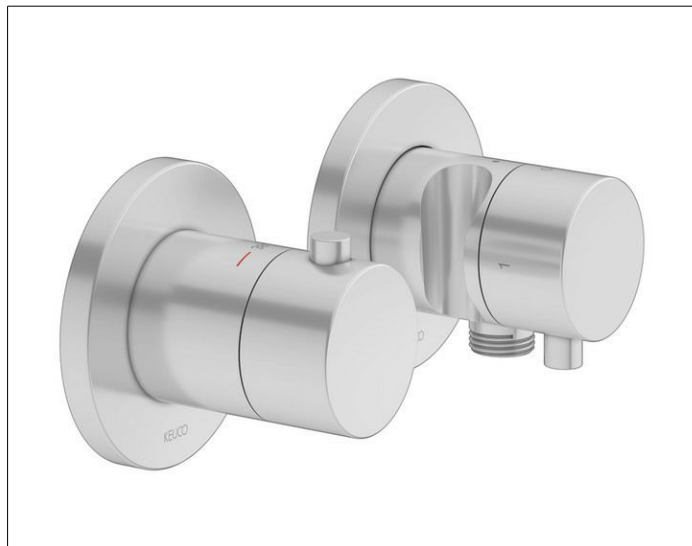


Plan blue

53953171221 2-way thermostatic mixer with wall outlet for shower hose and hand shower bracket

PRODUCT



DRAWING



PRODUCT ATTRIBUTES

Consisting of:

- Thermostatic mixer handle, sleeve, rosette (round)
- Stop and diverter valve for shower hoses with fitted conical end brackets
- handle, sleeve rosette (round), stop and diverter valve, with backflow preventer

SURFACE

aluminium finish

SPECIFICATIONS

KEUCO PLAN BLUE Thermostatic set 53953 171221, consisting of:

KEUCO IXMO Thermostatic mixer UP DN15, 59553170001

Thermostatic mixer made of aluminium finish, for shower and bath made of low-dezincification brass, with round rosette, freely positionable, with built-in device for reversed waterways, installation depth 80 - 110 mm, high quality temperature control unit, safety cut-off at 38°, Set consisting of:

handle, sleeve, rosette (round), rosette diameter 90 mm, thickness 10mm, total projection 80mm, suitable for concealed installation unit article no. 59553000070

KEUCO IXMO 2 way stop and diverter valve

with wall outlet for shower hose and hand shower bracket UP DN15, 59557171201

2 way stop and diverter valve made of aluminium finish, with IXMO handle Comfort and with wall outlet for shower hose and integrated hand shower bracket, freely positionable, installation depth 80-110 mm, with adjustment option for fine assembly for handle and rosette, with round rosette, with wall outlet for shower hose G 1/2 inch, for hoses with a conical nut, e.g. KEUCO shower hose 54995..., rosette diameter 90 mm, thickness 10 mm, total projection 80 mm,

The wall outlet for shower hose is intrinsically safe against backflow according to DIN EN 1717.

All inlets planned below the water inlet line are to be checked and, if necessary, according to DIN 1988 secure against backflow.

Set consisting of:

handle, casing, rosette (round) and stop and diverter valves, suitable for concealed installation unit article no. 59556000170

Essential for installation: Rough part set 59953 002170

Please order separately!