

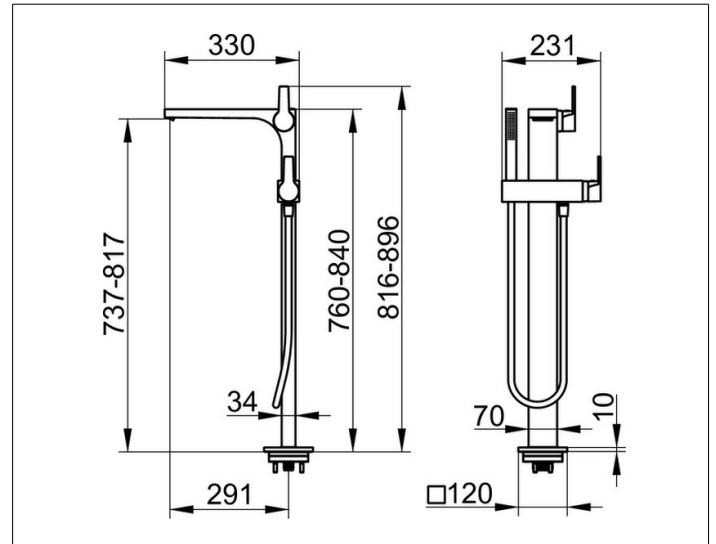
Edition 11

51127050100 Single lever bath tub mixer

PRODUCT



DRAWING



PRODUCT ATTRIBUTES

floor-mounted/free standing,
 cartridge mixer with ceramic sealing gaskets,
 with aerator, complete with hand held rod shower head and
 shower hose 1250 mm

SURFACE

brushed nickel