

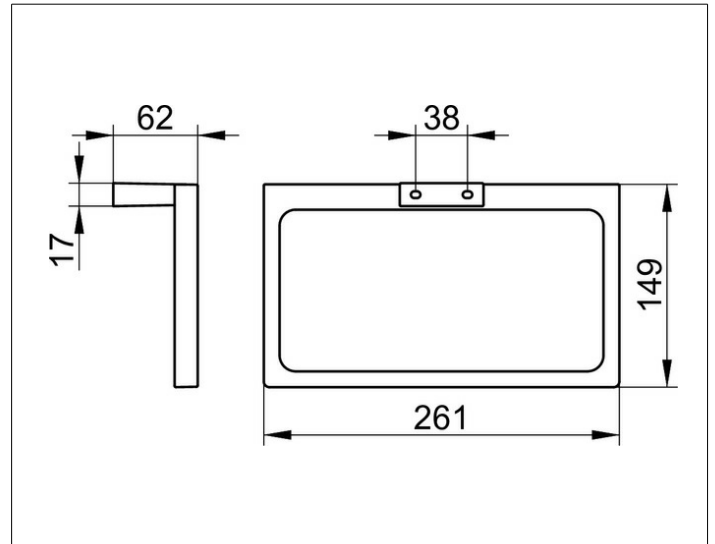
Edition 11

11121050000 Towel ring

PRODUCT



DRAWING



SURFACE

brushed nickel

SPECIFICATIONS

KEUCO EDITION 11 towel ring 11121050000
brushed nickel towel ring in formal design and clear geometric shapes
Width 10-1/4" Depth: 2-7/16",
delivery with corrosion resistant mounting hardware