

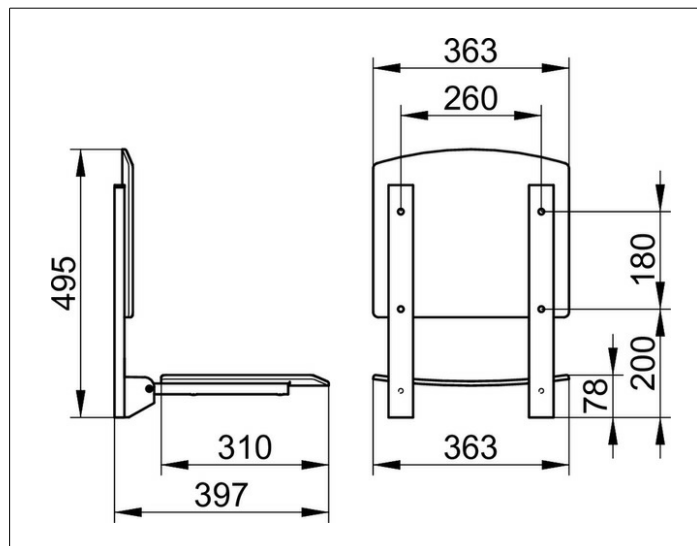
Plan Care

34982170038 Tip-up seat

PRODUCT



DRAWING



PRODUCT ATTRIBUTES

tip-up, wall mounted
removable back rest for cleaning

SURFACE

aluminium silver anodized (E6 EV1)/light grey (RAL 7035)

SPECIFICATIONS

KEUCO PLAN CARE tip-up seat 334982170038
tip-up seat in light-grey (RAL 7035)
made from polypropylene
in esthetic, practical design, to be mounted on the wall for
safe seating arrangement in the shower
wall and seat support aluminium silver-anodized as a design feature
anti-static, easy to clean
to tilt upwards, seat can carry weight up to 110 kg
width 363 mm, length of area 310 mm

It is essential for installation to order the correct
Screws/bolts depending on type of wall:
2 x mounting-set 2 (cat-no 34991000100) or
2 x mounting-set 5 (cat-no 34991000200) or
2 x mounting-set 8 (cat-no 349994000200)
1 x mounting-set 10 (cat-no 34996000100)

Please order separately!