

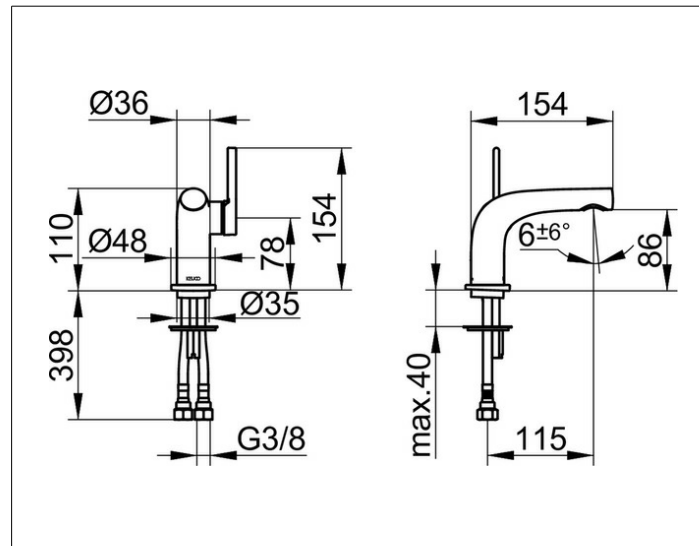
Edition 400

51504030100 Single lever basin mixer 80

PRODUCT



DRAWING



PRODUCT ATTRIBUTES

without pop-up waste,
single hole installation,
cartridge with ceramic discs,
aerator SLIM SSR M 24x1, adjustable,
pressure hoses 435 mm, G 3/8 inch
flow rate reduced to 7,6 l/min.

SURFACE

brushed bronze