

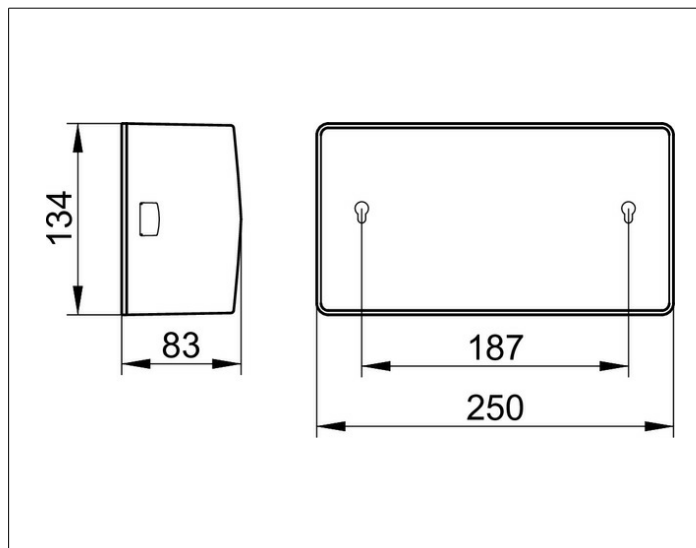
**Generic items**

04977010000 Tissue box

**PRODUCT**



**DRAWING**



**PRODUCT ATTRIBUTES**

with closed sides, for up to max. 150 sheets

**SURFACE**

chrome-plated