

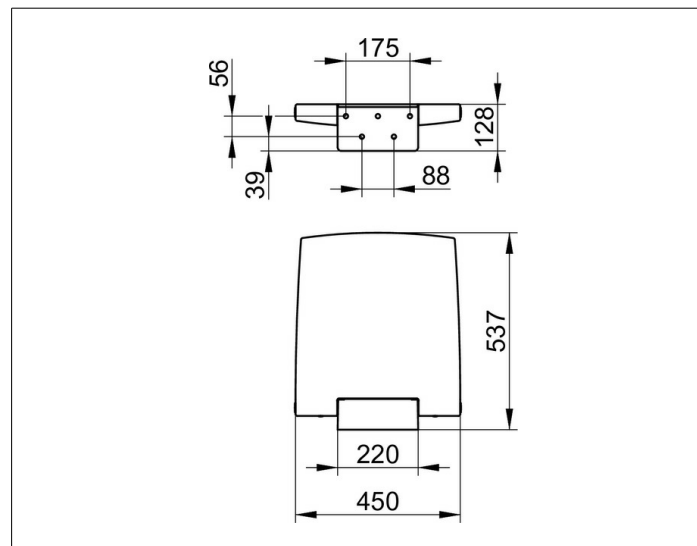
Plan Care

34983170038 Tip-up seat

PRODUCT



DRAWING



PRODUCT ATTRIBUTES

wall mounted
tip-up soft seat

SURFACE

aluminium lacquered/light grey (RAL 7035)

SPECIFICATIONS

KEUCO PLAN CARE Tip-up seat 34983170038
light-grey (RAL 7035) tip-up seat
made from Polyurethane-foam
in aesthetic, functional design,
for wall mounting for safe seats in the shower area
Wall bracket and aluminium lacquered seat support
as design element
anti-static,
easy Cleaning
with max. 60% Ethanol- or Propanol solution can be disinfected, other
disinfectants are not recommended
fold-up seat up to 150 kg
Width 450 mm,
500 mm length of the seat
Projection 537 mm

The fixing must be ordered separately!

For installation (depending on the anchorage/masonry) is absolutely essential:

2 x Mounting-Set 2 (Catalogue-no. 34992000100) or
2 x Mounting-Set 5 (Catalogue-no. 34992000200) or
2 x Mounting-Set 8 (Catalogue-no. 34995000200) or
1 x Mounting-Set 10 (Catalogue-no. 34997000100)