

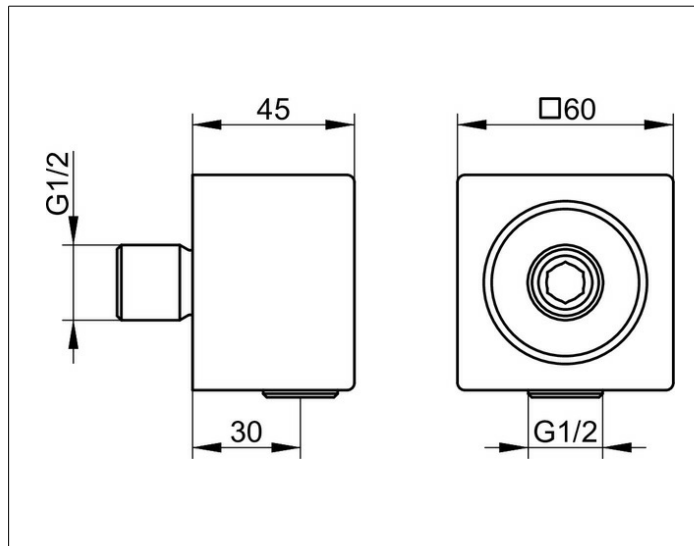
Edition 11

51147010000 Wall outlet for shower hose DN 15

PRODUCT



DRAWING



PRODUCT ATTRIBUTES

with backflow preventer
suitable for all concealed fittings

SURFACE

chrome-plated

SPECIFICATIONS

KEUCO EDITION 11 hose connection DN 15 51147010000
chromed hose connection DN 15, linear design and clear geometric shapes,
suitable for all concealed valves,
Protected against backflow,
Base dimensions 45 x 60 mm, 30 mm hose connection at
Water connection G 1/2