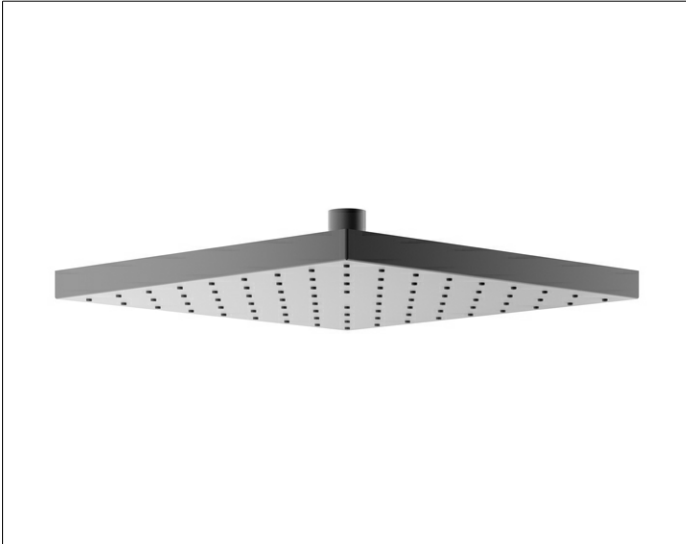


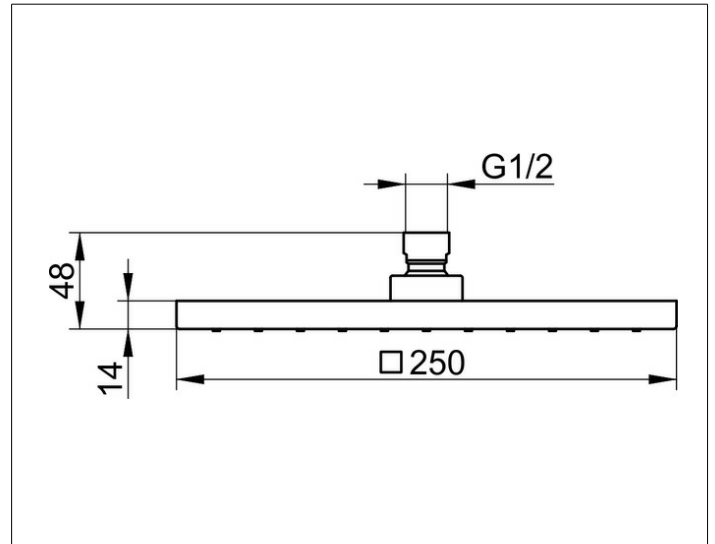
Edition 300

53086130100 Shower head

PRODUCT



DRAWING



PRODUCT ATTRIBUTES

square, 250 x 250 mm,
restricted flow rate 15 l/min.

SURFACE

brushed black chrome

DIMENSION

250 x 250 mm