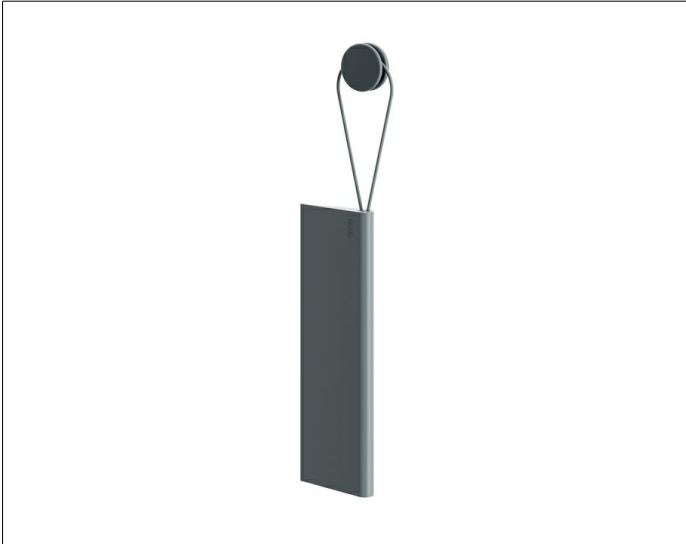


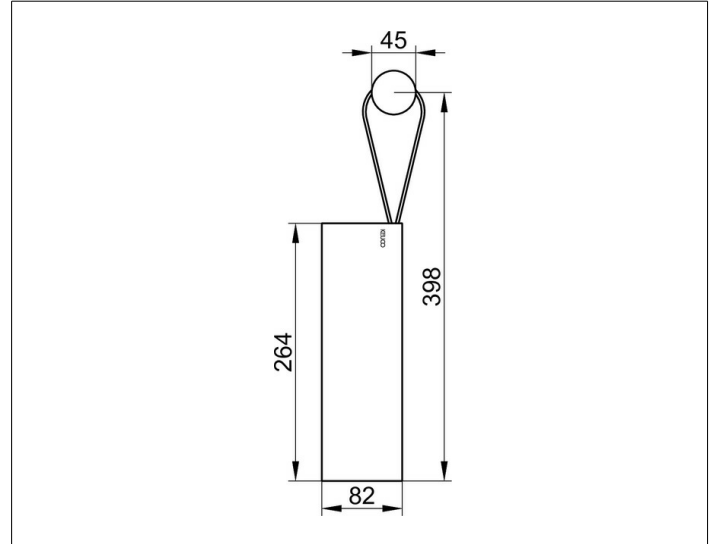
Generic items

04959380000 Glass wiper

PRODUCT



DRAWING



PRODUCT ATTRIBUTES

with stickable wall bracket
2 parts, consisting of:
- adhesive wall mount
- Glass wiper
Material: silicone

SURFACE

grey (RAL 7011)