

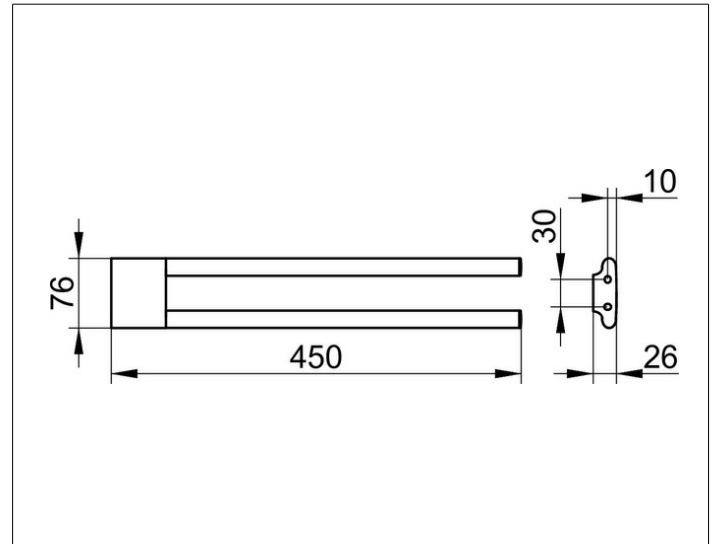
Edition 400

11518050000 Towel holder

**PRODUCT**



**DRAWING**



**PRODUCT ATTRIBUTES**

fixed

**SURFACE**

brushed nickel

**DIMENSION**

450 mm

**SPECIFICATIONS**

KEUCO Edition 400 towel holder, 11518050000  
 brushed nickel towel holder, 2 pieces,  
 sculptural design,  
 with slightly rounded edges,  
 two side by side,  
 fixed arms, made of oval tubes,  
 antistatic, easy to clean,  
 depth 17-11/16", width 3", height 1",  
 the towel holder is fitted concealed,  
 delivery included anti-corrosion fixings