

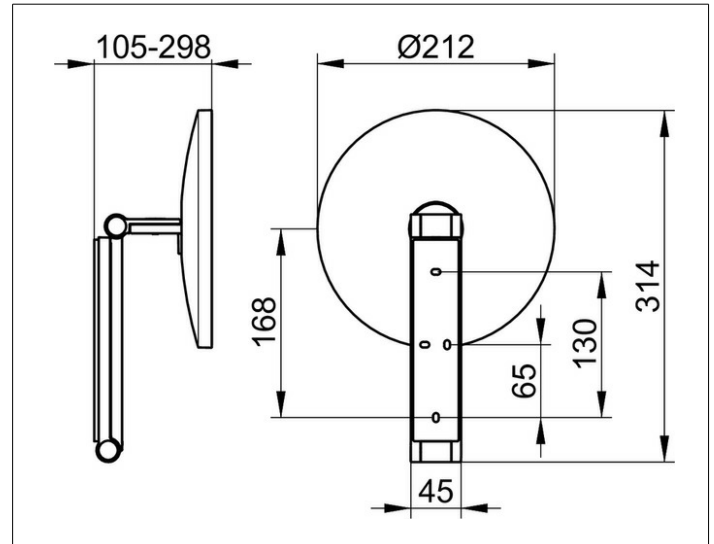
Cosmetic mirrors

17612050000 Cosmetic mirror

PRODUCT



DRAWING



PRODUCT ATTRIBUTES

non illuminated,
on pivoted rail adjustable in three dimensions,
one-sided mirror, magnification factor x 5

SURFACE

brushed nickel

SPECIFICATIONS

KEUCO iLook_move cosmetic mirror, 17612050000
high quality cosmetic mirror, round,
brushed nickel, non illuminated,
on pivoted rail,
surface wall-mounted with 4 fixing points
for an optimal load distribution
adjustable in three dimensions, one-sided mirror, concave
magnification factor x 5,
Height wall mounting 7-1/8", Width ca. 1-3/4",
max. Height ca. 19-11/16", External diameter 8-3/8",
max. depth ca. 11-3/4",