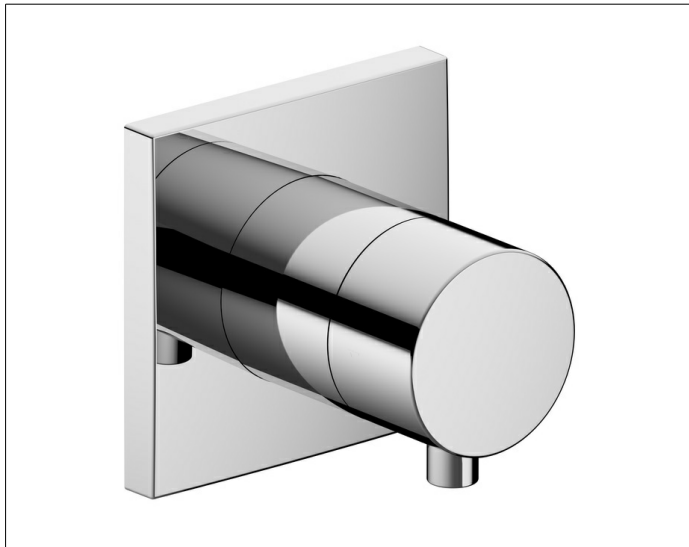


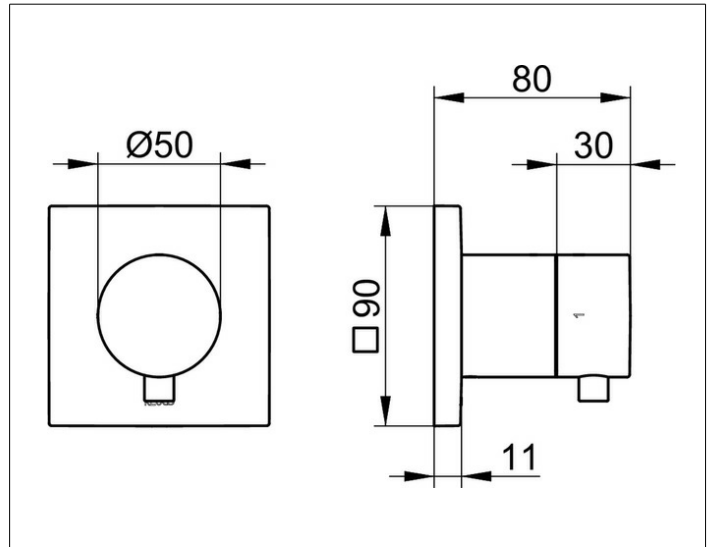
**IXMO**

**59557011002 2-way stop and diverter valve DN 15**

**PRODUCT**



**DRAWING**



**PRODUCT ATTRIBUTES**

Set complete with:  
 handle, casing, rosette (square) and stop and diverter valve  
 suitable for rough part no. 59556 000070

**SURFACE**

chrome-plated

**SPECIFICATIONS**

KEUCO IXMO 2-way stop and diverter valve , 59557011002  
 chrome-plated 2-way stop and diverter valve,  
 IXMO Comfort lever with square rosette,  
 freely positionable, installation depth 80 - 110 mm,  
 with adjustment facilities whilst assembling,  
 for handle and rosette,  
 rosette 90 x 90 mm, 10 mm thick,  
 total depth 80 mm,  
 set complete with:  
 handle, sleeve, rosette (square) and stop/diverter valve,  
 suitable for rough part no. 59556000070