

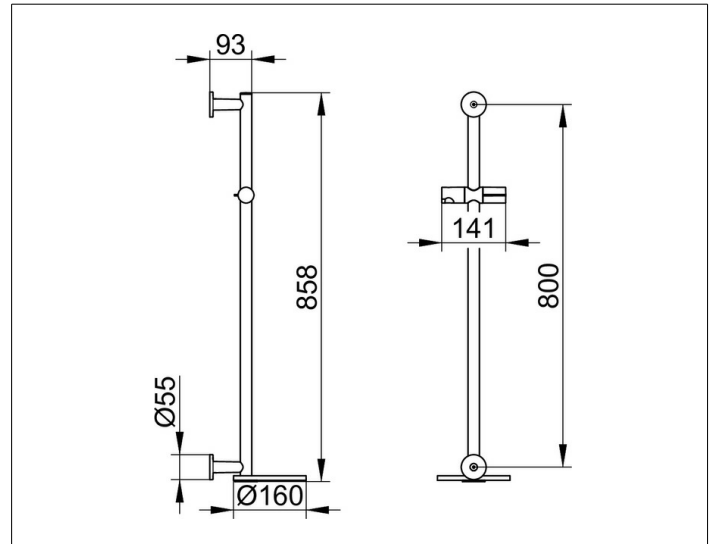
IXMO

59585010921 Hand shower sliding rail

PRODUCT



DRAWING



PRODUCT ATTRIBUTES

- consisting of:
- rail 855 mm (rosettes round) and hand-shower bracket, height adjustable with handle, adjustable tilt angle
 - with swivelling shelf (ø 180 mm)
 - spacer disc (5 mm)

SURFACE

chrome-plated/white

DIMENSION

855 mm